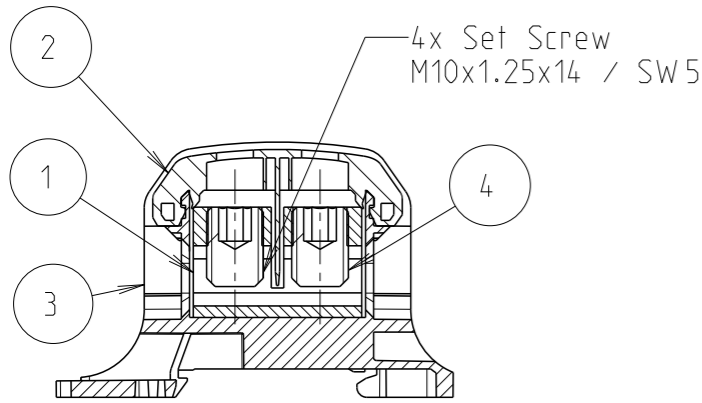
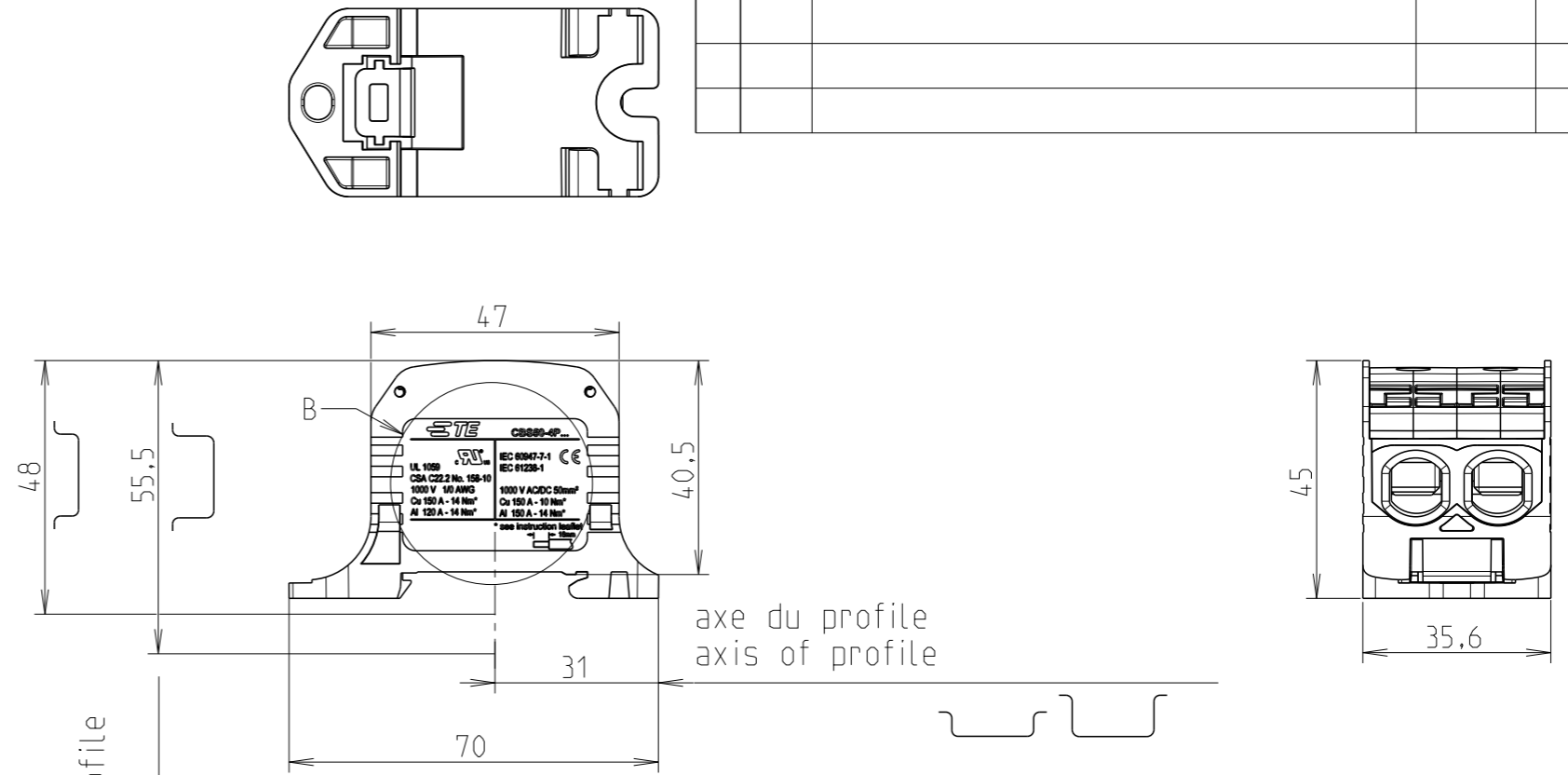
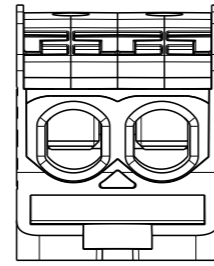


P	LTR	DESCRIPTION	DATE	DWN	APVD
A		INITIAL REVISION	02FEB2022	PS	SB



SECTION A-A



hauteur hors tout sur profile
overall height on profile

TE CBS50-4P...

<p>UL 1059 CSA C22.2 No. 158-10 1000 V 1/0 AWG Cu 150 A - 14 Nm* Al 120 A - 14 Nm*</p>	<p>IEC 60947-7-1 CE IEC 61238-1 1000 V AC/DC 50mm² Cu 150 A - 10 Nm* Al 150 A - 14 Nm*</p>
---	---

* see instruction leaflet

16mm

B(7:2)

RPT	QTY	DOC TITLE	DESCRIPTION	ITEM NUMBER	COMMENTS
4	4	SET_SCREW_M10X14	SET_SCREW_M10X14	-	
3	1	HOUSING_CBS50_4P	HOUSING_CBS50_4P	-	
2	2	COVER_CBS50_2P_BLUE	COVER_CBS50_2P_BLUE	-	
1	1	ALUMINUM_BLOCK_CBS50_4P	ALUMINUM_BLOCK_CBS50_4P	-	

THIS DRAWING IS A CONTROLLED DOCUMENT.

DWN: 2022-02-02 Pavan, Singh
CHK: 2022-02-02 Pavan, Singh
APVD: 2022-02-02 Saurabh, Bisht

TE TE Connectivity

NAME: CBS50-4P-BLUE

SIZE	CAGE CODE	DRAWING NO	RESTRICTED TO
A3	00779	©-1SNP300333-0200	-

1SNF516121R0000
PART NO.

