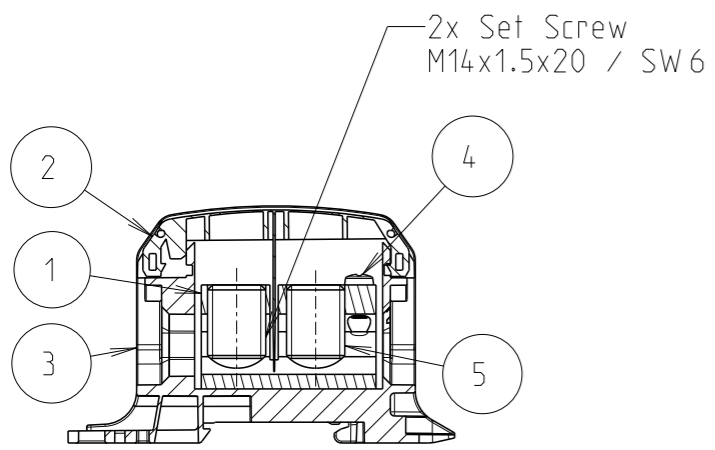
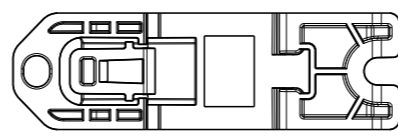
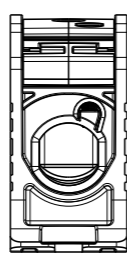


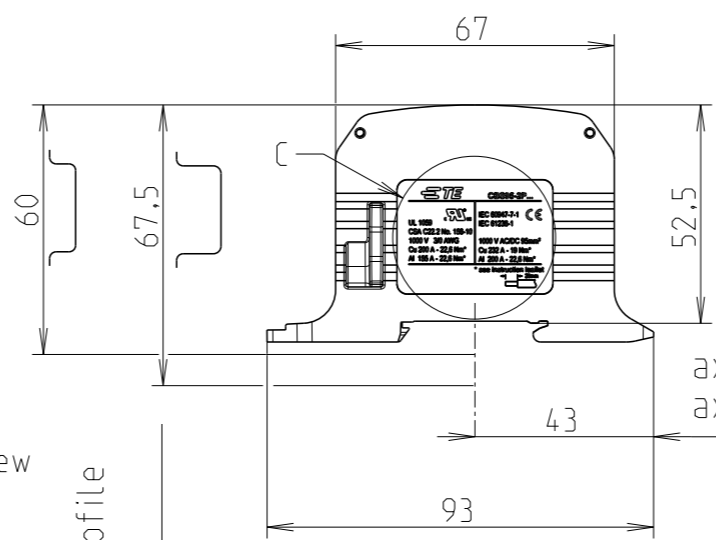
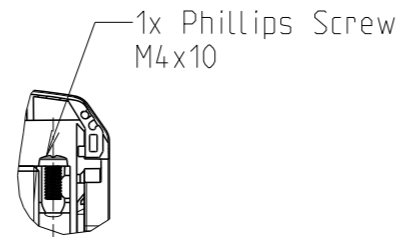
P	LTR	DESCRIPTION	DATE	DWN	APVD
	A	INITIAL REVISION	14FEB2022	PS	SB



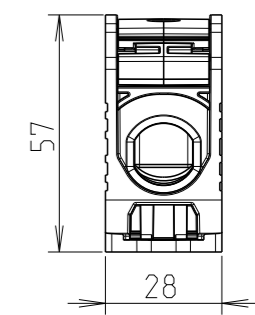
SECTION A-A



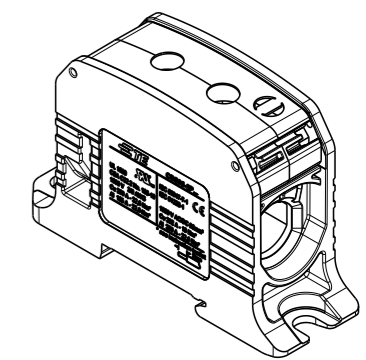
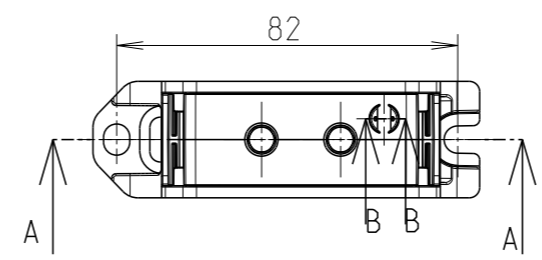
SECTION B-B



axe du profile
axis of profile



hauteur hors tout sur profile
overall height on profile



1SNF526011R0000
PART NO.

TE CBS95-2P...

<p>UL 1059 us</p> <p>CSA C22.2 No. 158-10</p> <p>1000 V 3/0 AWG</p> <p>Cu 200 A - 22,6 Nm*</p> <p>Al 155 A - 22,6 Nm*</p>	<p>IEC 60947-7-1 </p> <p>IEC 61238-1</p> <p>1000 V AC/DC 95mm²</p> <p>Cu 232 A - 19 Nm*</p> <p>Al 200 A - 22,6 Nm*</p>
---	---

* see instruction leaflet

26mm

(7:2)

RPT	QTY	DOC TITLE	DESCRIPTION	ITEM NUMBER	COMMENTS
5	2	SET_SCREW_M14X20	SET_SCREW_M14X20	-	
4	1	PHILLIPS_SCREW_M4X10	PHILLIPS_SCREW_M4X10	-	
3	1	HOUSING_CBS95_2P	HOUSING_CBS95_2P	-	
2	1	COVER_CBS95_GRAY	COVER_CBS95_GRAY	-	
1	1	ALUMINUM_BLOCK_CBS95_2P	ALUMINUM_BLOCK_CBS95_2P	-	

THIS DRAWING IS A CONTROLLED DOCUMENT.

2022-Mar-22 01:47:27 PM
Pavan, Singh

CHK 2022-02-14
Pavan, Singh

APVD 2022-02-14
Saurabh, Bishi

TE Connectivity

NAME CBS95-2P-GRAY

SIZE	CAGE CODE	DRAWING NO	RESTRICTED TO
A3	00779	©-1SNP300335-0100	-

CUSTOMER DRAWING

SCALE 11:20

SHEET 1 OF 1

REV A