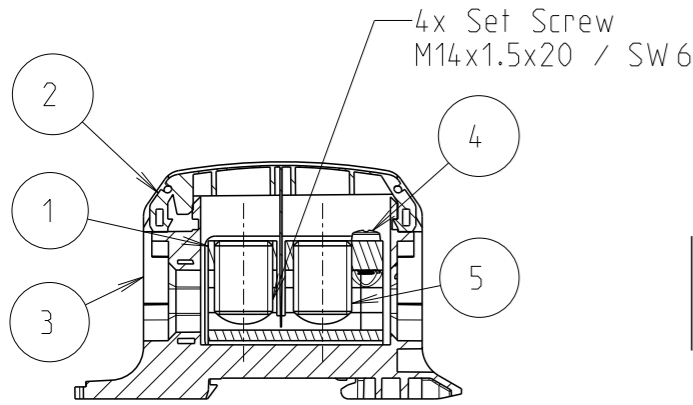
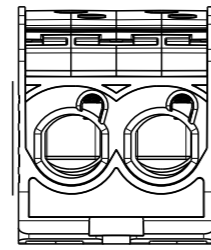


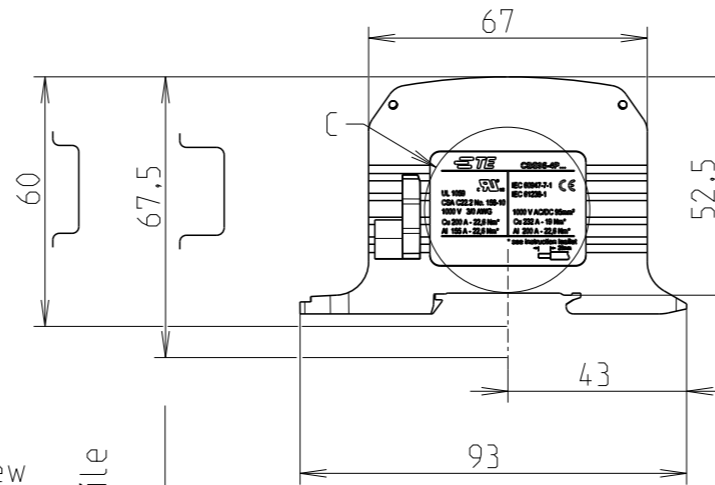
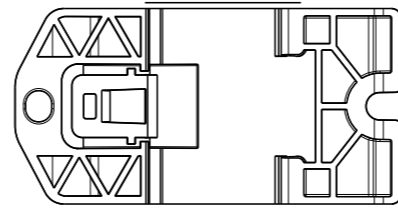
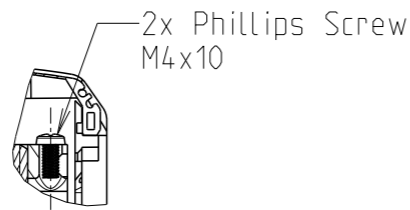
P	LTR	DESCRIPTION	DATE	DWN	APVD
	A	INITIAL REVISION	21FEB2022	PS	SB



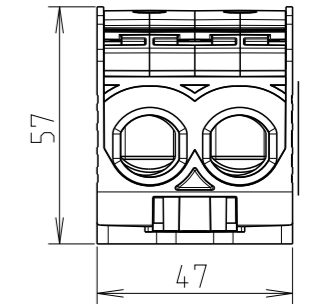
SECTION A-A



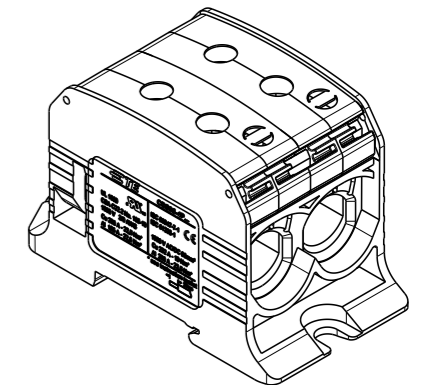
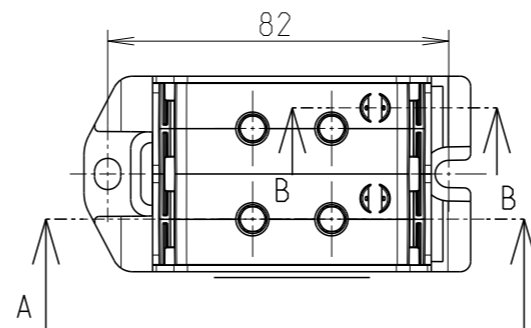
SECTION B-B



axe du profile  
axis of profile



hauteur hors tout sur profile  
overall height on profile



1SNF526111R0000  
PART NO.

**CBS95-4P...**

<p>UL 1059 CSA C22.2 No. 158-10 1000 V 3/0 AWG Cu 200 A - 22,6 Nm* Al 155 A - 22,6 Nm*</p>	<p>IEC 60947-7-1 IEC 61238-1 1000 V AC/DC 95mm<sup>2</sup> Cu 232 A - 19 Nm* Al 200 A - 22,6 Nm*</p>
--	--

\* see instruction leaflet

RPT	QTY	DOC TITLE	DESCRIPTION	ITEM NUMBER	COMMENTS
5	4	SET_SCREW_M14X20	SET_SCREW_M14X20	-	
4	2	PHILLIPS_SCREW_M4X10	PHILLIPS_SCREW_M4X10	-	
3	1	HOUSING_CBS95_4P	HOUSING_CBS95_4P	-	
2	2	COVER_CBS95_GRAY	COVER_CBS95_GRAY	-	
1	1	ALUMINUM_BLOCK_CBS95_4P	ALUMINUM_BLOCK_CBS95_4P	-	

THIS DRAWING IS A CONTROLLED DOCUMENT.

<p>DWN 2022-02-21 Pavan, Singh</p> <p>CHK 2022-02-21 Pavan, Singh</p> <p>APVD 2022-02-21 Saurabh, Bishi</p>	<p><b>TE</b> TE Connectivity</p> <p>NAME <b>CBS95-4P-GRAY</b></p>
---	---

SIZE	CAGE CODE	DRAWING NO	RESTRICTED TO
A3	00779	1SNP300336-0100	-

DIMENSIONS:		TOLERANCES UNLESS OTHERWISE SPECIFIED:	
mm			
	0 PLC	±	
	1 PLC	±1	
	2 PLC	±1	
	3 PLC	±1	
	4 PLC	±1	
	ANGLES	±	
MATERIAL	FINISH		
-	-		

CUSTOMER DRAWING SCALE 11:20 SHEET 1 OF 1 REV A