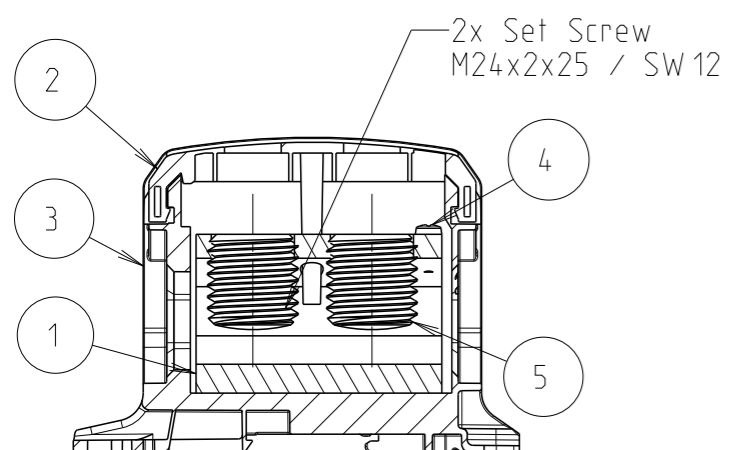
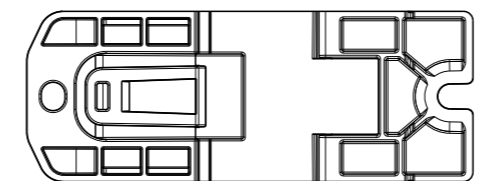
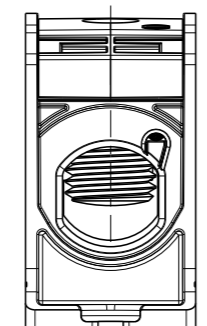


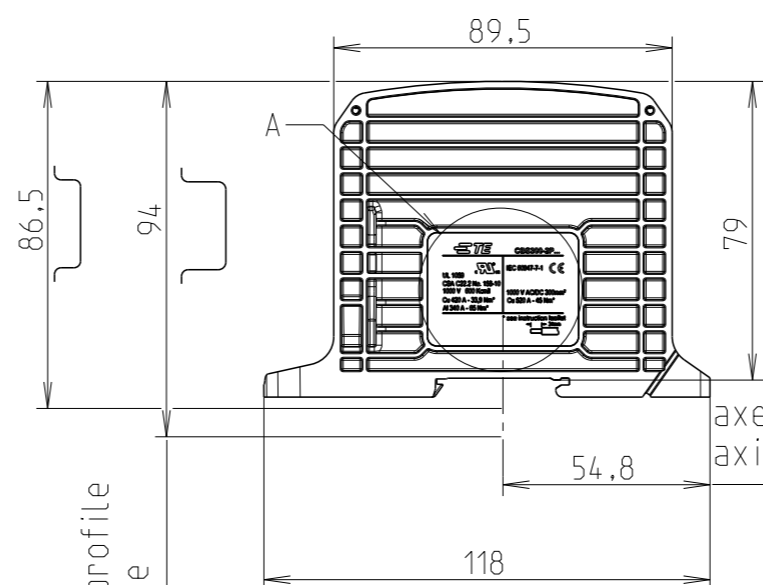
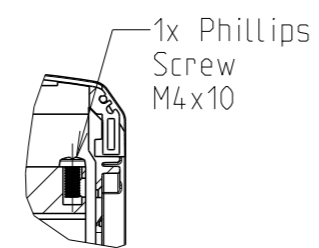
P	LTR	DESCRIPTION	DATE	DWN	APVD
	A	INITIAL REVISION	15MAR2022	PS	SB



SECTION A-A

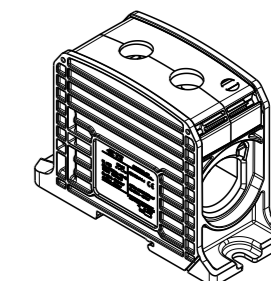
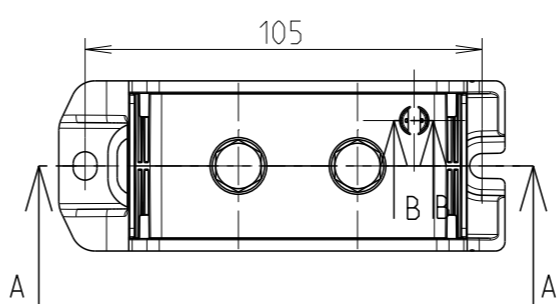
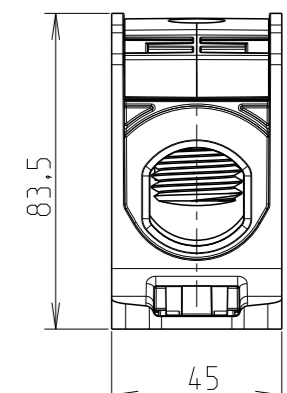


SECTION B-B



axe du profile
axis of profile

hauteur hors tout sur profile
overall height on profile



SCALE 3:10

TE CBS300-2P...

<p>UL 1059 CSA C22.2 No. 158-10 1000 V 600 Kcmil Cu 420 A - 33,9 Nm* Al 340 A - 65 Nm*</p>	<p>IEC 60947-7-1 CE 1000 V AC/DC 300mm² Cu 520 A - 45 Nm*</p>
--	---

* see instruction leaflet

34mm

1SNF546021R0000
PART NO.

RPT	QTY	DOC TITLE	DESCRIPTION	ITEM NUMBER	COMMENTS
5	2	SET_SCREW_M24X25	SET_SCREW_M24X25	-	
4	1	PHILLIPS_SCREW_M4X10	PHILLIPS_SCREW_M4X10	-	
3	1	HOUSING_CBS300_2P	HOUSING_CBS300_2P	-	
2	1	COVER_CBS300_2P_BLUE	COVER_CBS300_2P_BLUE	-	
1	1	ALUMINUM_BLOCK_CBS300_2P	ALUMINUM_BLOCK_CBS300_2P	-	

THIS DRAWING IS A CONTROLLED DOCUMENT.		DWN 2022-03-14 Pavan, Singh		TE TE Connectivity	
DIMENSIONS: mm		CHK 2022-03-14 Pavan, Singh			
TOLERANCES UNLESS OTHERWISE SPECIFIED:		APVD 2022-03-14 Saurabh, Bishr		NAME CBS300-2P-BLUE	
0 PLC ±0		PRODUCT SPEC		SIZE	
1 PLC ±1		APPLICATION SPEC		CAGE CODE	
2 PLC ±1		WEIGHT		DRAWING NO	
3 PLC ±1		CUSTOMER DRAWING		RESTRICTED TO	
4 PLC ±1		SCALE 1:2		SHEET 1 OF 1	
ANGLES ±		REV A			
FINISH					

A(3:1)