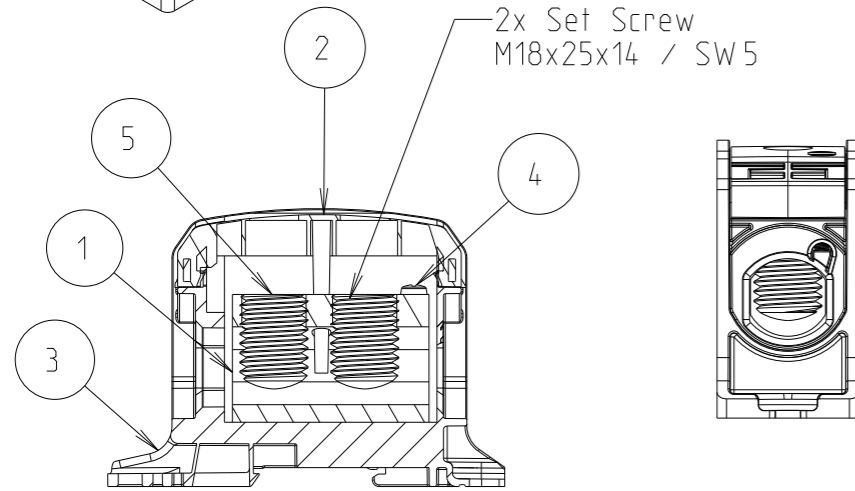
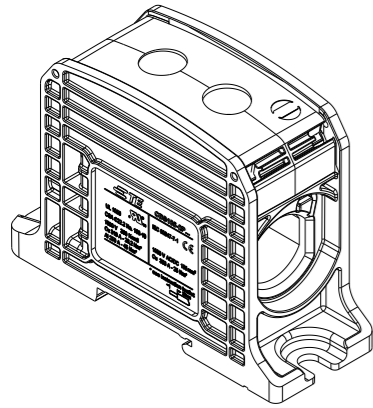
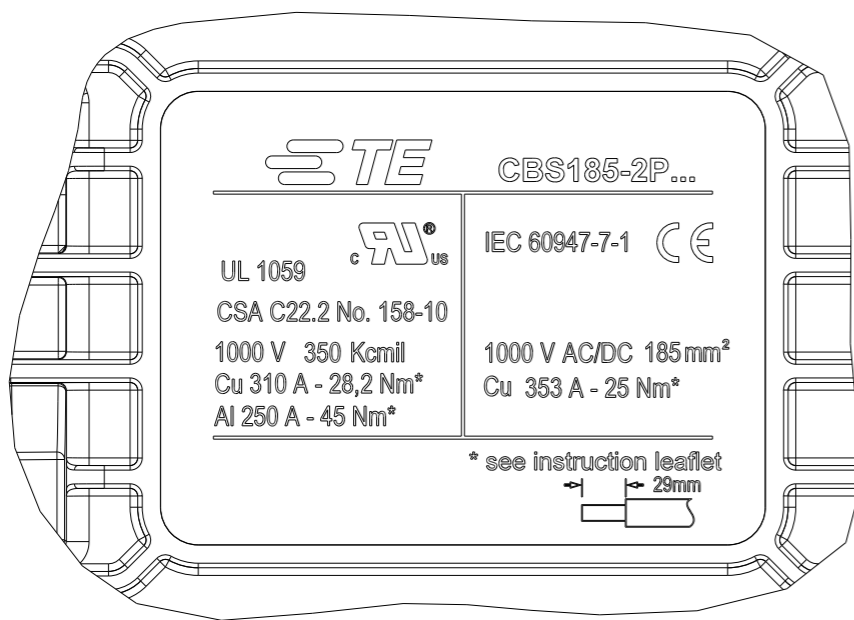
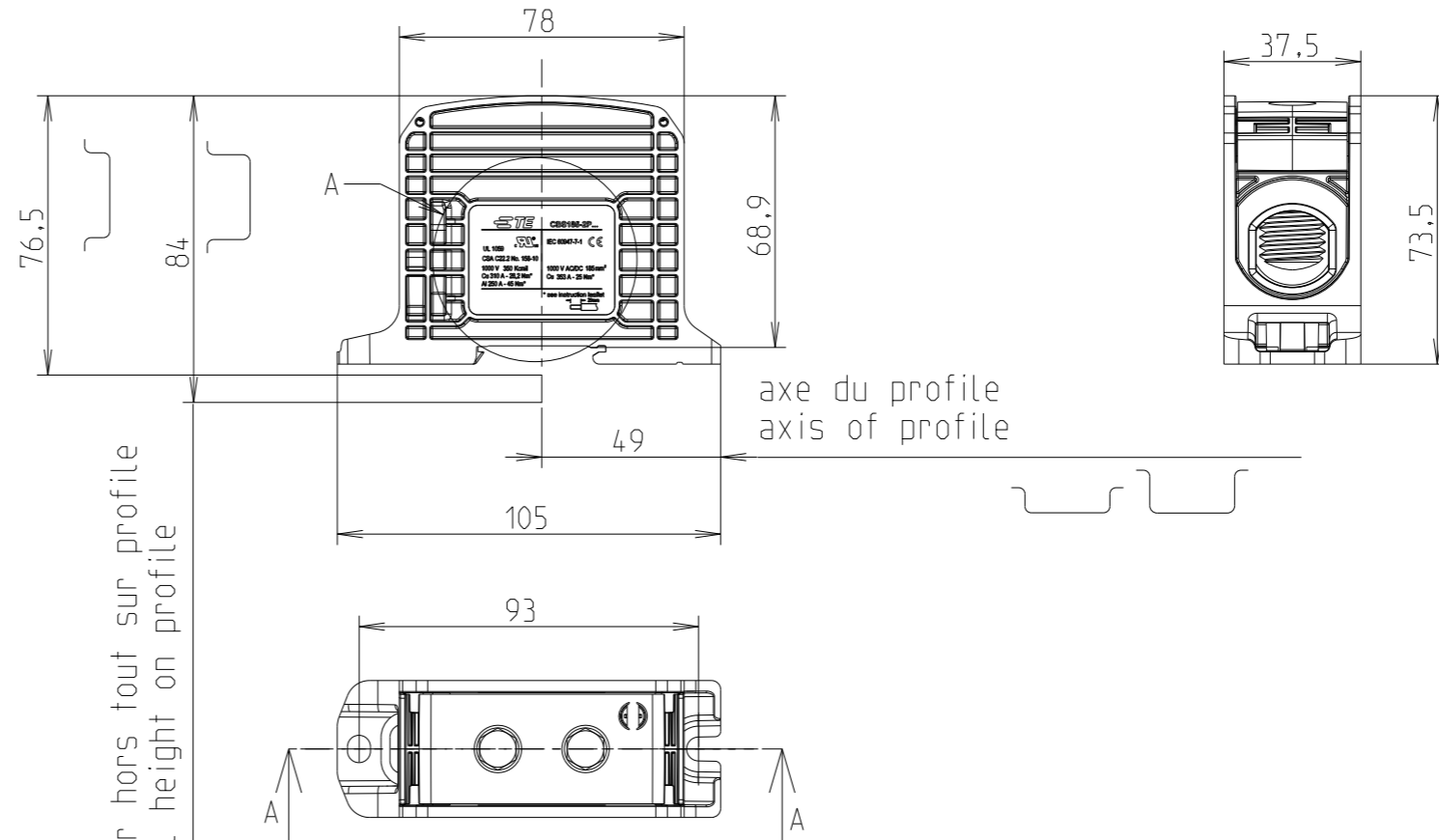
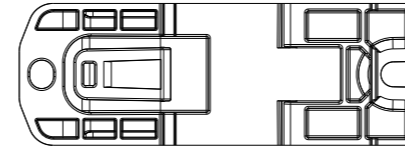


P	LTR	DESCRIPTION	DATE	DWN	APVD
	A	INITIAL REVISION	14MAR2022	RM	SP



SECTION A-A



A(2:1)

1SNF536011R0000
PART NO.

RPT	QTY	DOC TITLE	DESCRIPTION	ITEM NUMBER	COMMENTS
5	2	SET_SCREW_M18X25	SET_SCREW_M18X25	-	
4	1	PHILLIPS_SCREW_M4X10	PHILLIPS_SCREW_M4X10	-	
3	1	HOUSING_CBS185_2P	HOUSING_CBS185_2P	-	
2	1	COVER_CBS185_2P_GRAY	COVER_CBS185_2P_GRAY	-	
1	1	ALUMINUM_BLOCK_CBS185_2P	ALUMINUM_BLOCK_CBS185_2P	-	

THIS DRAWING IS A CONTROLLED DOCUMENT.		DWN 2022-03-08 Rafeeq, Mond					
DIMENSIONS: mm		CHK 2022-03-08 Singh, Pavan K				NAME CBS185-2P-GRAY	
TOLERANCES UNLESS OTHERWISE SPECIFIED:		APVD 2022-03-08 Singh, Pavan K				PRODUCT SPEC -	
0 PLC ± 1 PLC ±1 2 PLC ±1 3 PLC ±1 4 PLC ±1 ANGLES ± MATERIAL -		APPLICATION SPEC -				SIZE A3 CAGE CODE 00779 DRAWING NO. ©-1SNP300338-0100 RESTRICTED TO -	
FINISH -		WEIGHT -		SCALE 1:2 SHEET 1 OF 1 REV A3			
finish_spec_2		CUSTOMER DRAWING					